


### WARNING

Before operating this equipment, please read this manual carefully and retain this for future reference.

This equipment may cause harmful, if not installed and used in accordance with this manual.

- Please read careful this manual before using.
- Please keep this manual for safety reason.

### Attention to users

 CAUTION This equipment may cause harm, if not installed and used in accordance with following instructions.

- Do not exceed the maximum load capacity.

Excess load capacity may cause damage to equipment and unexpected accidents.

- Tighten firmly the lock knob before usage.

If not tighten firmly, it would cause damage to equipment and harmful to users.

- Make sure the tripod is firmly positioned when the camera is mounted.


This equipment could cause harm or damage to cameras, if the tripod is not properly installed or used in accordance with this manual.


- Do not dismantle or remold this equipment, as this cause brakages or injuries.

### Caution for users

- 1 Do not use without BR-4/FP-2 or SP-2.
- 2 Make sure the pan handle is adequately loosened before standing the tripod.
- 3 When using spikes, first remove the foot rubbers. Spikes may damage floors.
- 4 Make sure the leg folder is firmly tightened for transportation.
- 5 The maximum load capacity is 35kg. Do not exceed the load capacity.
- 6 When the tripod is in storage , keep the lock knob at half position.

### Set up the tripod

- 1 Remove the leg holding hook.  
The leg automatically return to normal position if the leg holding hook is released.
- 2 Fix the leg position as you like.  
It is recommended to adjust the position before standing the tripod.
  - ① Loosen the leg locks as legs are folding.
  - ② Adjust the leg positions to the same length and tighten the leg locks.(Firmly tighten until the rib comes to the  position.)

 CAUTION Do not over turn the lock knob which cause damage to the tripod.


- 3 Open the tripod.  
Install spreader BR-4/FP-2 or SP-2, before opening the tripod completely.  
Please read the instruction for SP-2, BR-4, FP-2.

### Place the head

Ball leveler diameter is required 75mm (T72) or 100mm (T98/98C)

Please read the instruction for setting.

### Fold the leg

 CAUTION Cameras must be removed before folding the legs. the Pan handle must be loosened after the legs are folded.


- 1 Loosen all the BR-4 or SP-2 lock nuts.

- 2 Fold the legs.

① Stand the legs without bending the BR-4 or SP-2.

② Loosen each leg lock knob.

③ The legs automatically fold after the leg lock is released.

 CAUTION Take care to avoid finger pinching when folding legs.

④ Firmly tighten the leg lock knobs.

- 3 Bundle the legs with the leg holding hook.

① Pull out the hook from the leg holding hook.

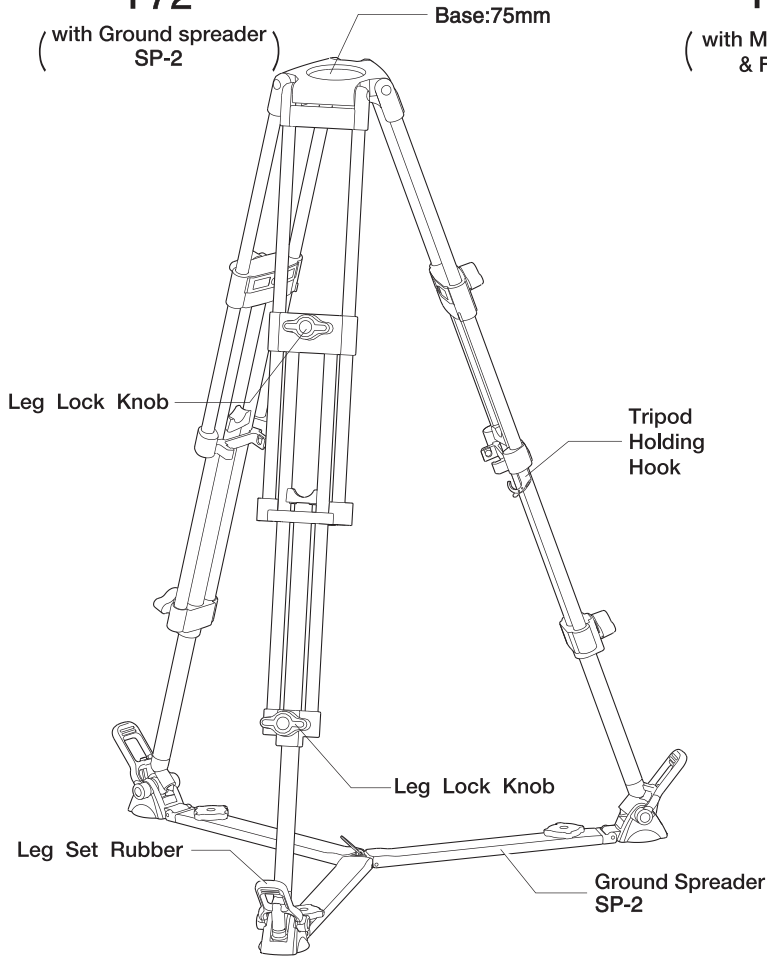
② Firmly fix the legs with the leg holding hook.

**Part name**

※ SP-2, BR-4, FP-2 is optional.

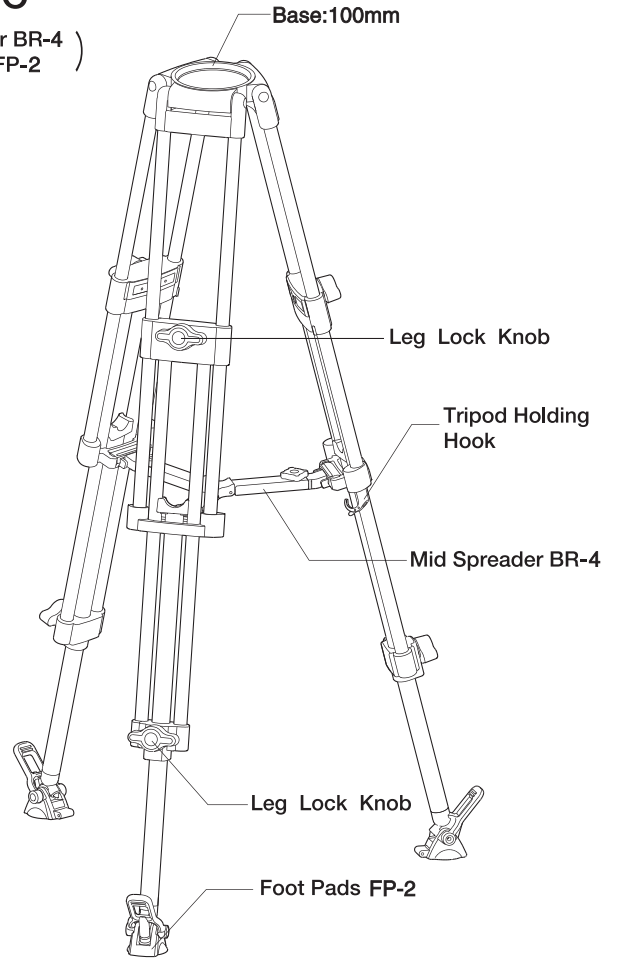
**T72**

(with Ground spreader SP-2)

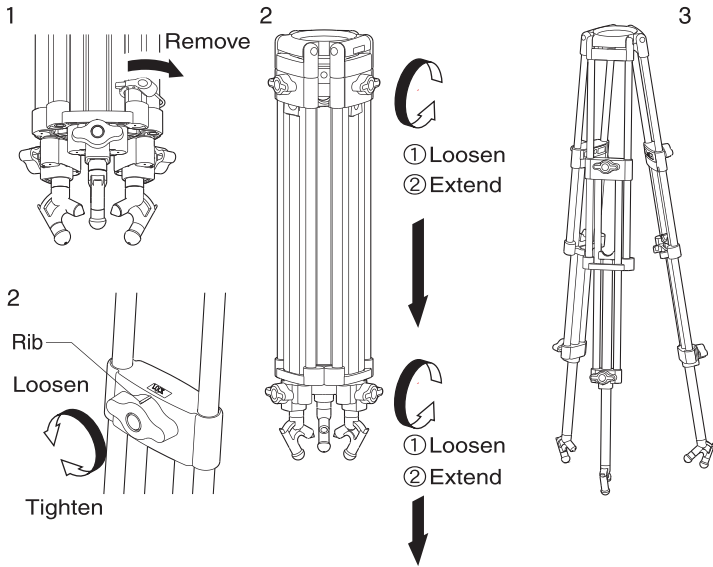


**T98/98C**

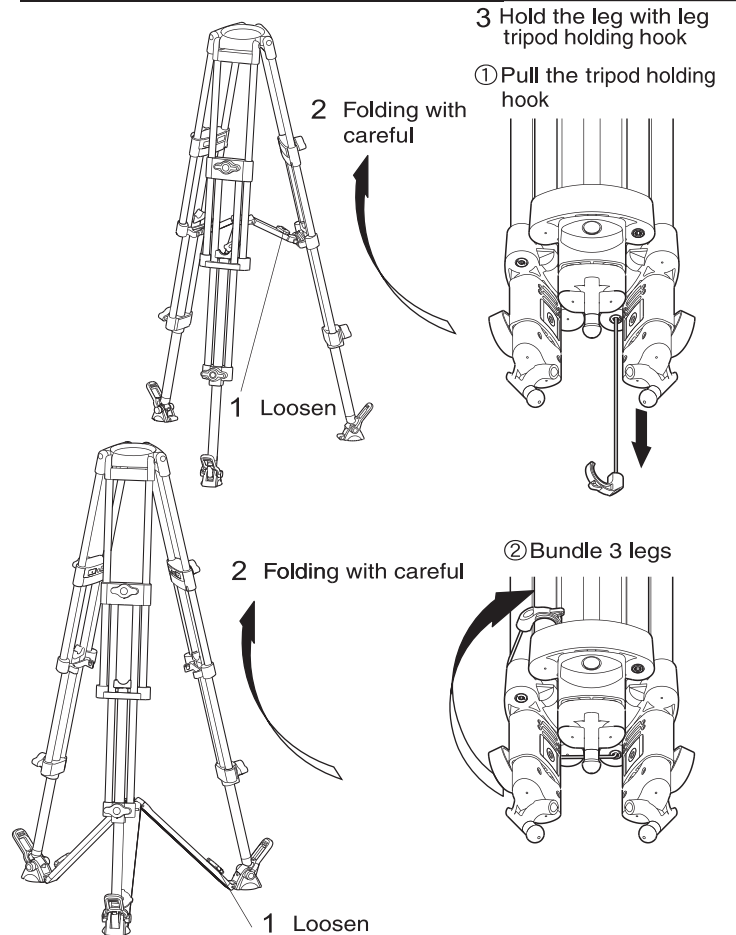
(with Mid spreader BR-4 & Foot Pads FP-2)



**Set up the tripod**



**Fold the leg**



**Caution for users**

