



SPARE PARTS MANUAL

D6011-2

Solo DV2 Tripod #1501

Serial No.: TH8159 - TH12680



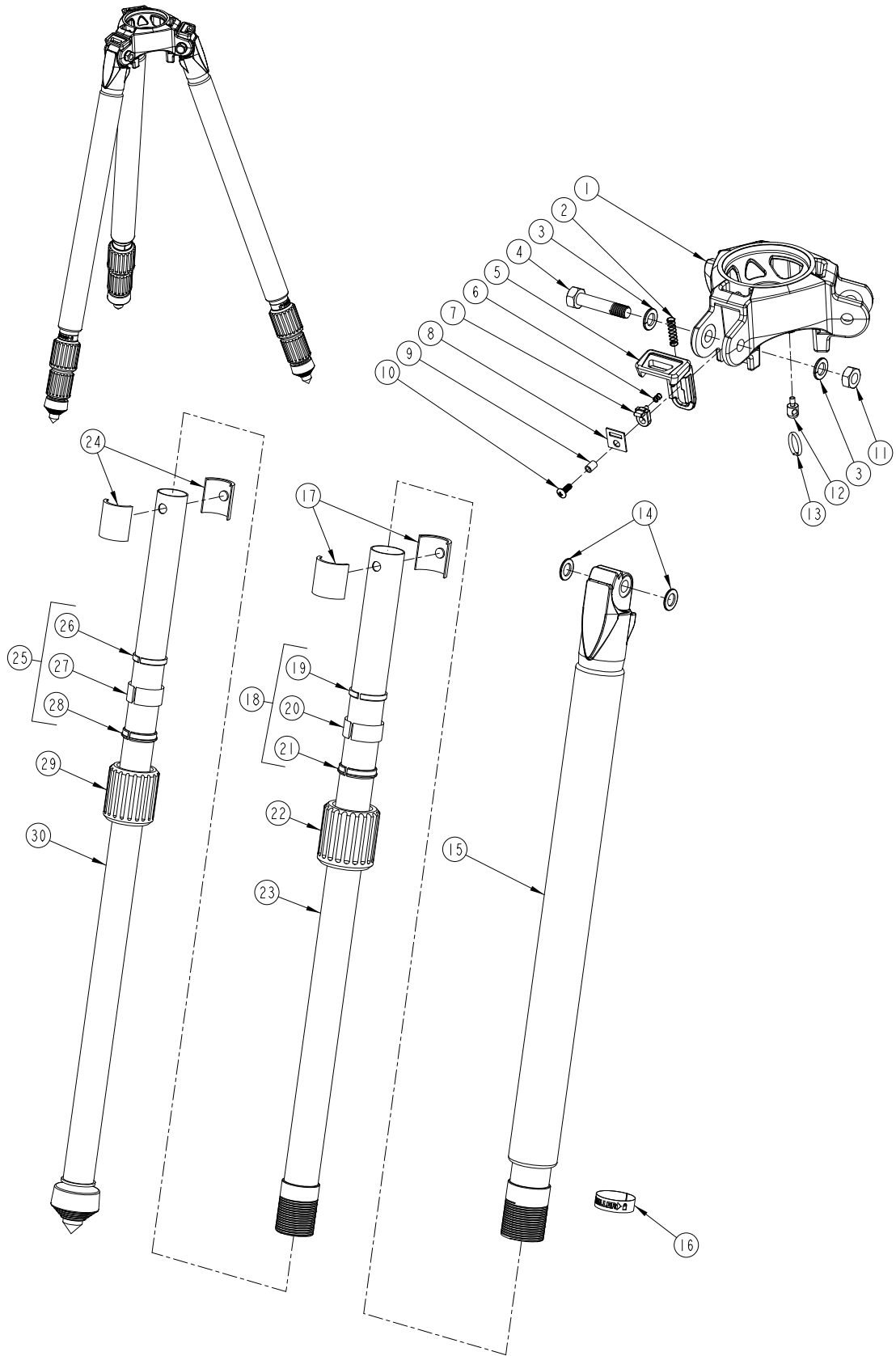
January
2010

Miller Camera Support Equipment
A.C.N. 000 923 464
30 Hotham Parade
Artarmon NSW 2064
Australia

Tel: (61-2) 9439 6377
Fax: (61-2) 9438 2819
Web Site: www.millertripods.com
Email: sales@miller.com.au

Camera **Support**

Spare Parts Drawing.



Spare Parts List.

ITEM No.	PART No.	DESCRIPTION	QTY / ASSY	AUD EACH
1	P5962	Ø75 TRIPOD BOWL	1	
2	P5983	LONG COMP. SPRING	3	
3	P5977	M10 LOCK WASHER	6	
4	P5975	M10 x 48 HEX/HD BOLT	3	
5	P5982	LEG ANGLE LOCK BRKT.	3	
6	P5986	SHORT COMP. SPRING	3	
7	P5985	LEG ANGLE LOCK TAB	3	
8	P5988	RETAINING PLATE	3	
9	P5989	SPACING BUSH	3	
10	P5990	M4 x 16 PAN PH/HD SCREW	3	
11	P5976	M10 NUT	3	
12	P5275	M4 x 7 EYELET SCREW	1	
13	P3249	5/8" SPLIT RING	1	
14	P5978	M10 WASHER	6	
15	P8318	Ø32 LEG TOP TUBE ASS'Y	3	
16	P5980	MILLER SOLO LEG LOCK LABEL	3	
17	P8326	Ø28 LOCK ROTATION SLEEVE	6	
18	P6053	Ø28 LOCK RING KIT	3	
19	P6054	Ø28 TOP LOCK RING	3	See Note
20	P6055	Ø28 MIDDLE LOCK RING	3	See Note
21	P6056	Ø28 BOTTOM LOCK RING	3	See Note
22	P6057	Ø28 LEG LOCK NUT	3	
23	P8320	Ø28 TUBE SCREW ASS'Y	3	
24	P6061	Ø25 LOCK ROTATION SLEEVE	6	
25	P6062	Ø25 LOCK RING KIT	3	
26	P6063	Ø25 TOP LOCK RING	3	See Note
27	P6064	Ø25 MIDDLE LOCK RING	3	See Note
28	P6065	Ø25 BOTTOM LOCK RING	3	See Note
29	P6066	Ø25 LEG LOCK NUT	3	
30	P8329	Ø25 TUBE FOOT ASS'Y	3	

Note: This part not sold separately.

See below extra parts not shown on diagram:

P5956 SHOULDER STRAP (AIRCELL PAD) – CAT #1520

P5957 SOLO TRANSPORT SRAP – CAT #1521.

'QTY/ASSY' = Total quantity for complete assembly.



SALES, SERVICE AND SUPPORT.

This is authorised document designed and produced by Miller Camera Support Equipment.

The information contained in this document is correct at the time of publication. Miller accepts no responsibility for any possible errors that may affect information herein and reserves the right to make changes without notice to the information contained within this document.

Use only Miller Authorised Service Agents for all service and repair work. Failure to observe this requirement may void warranty. It is advisable to notify. For information regarding sales and service of Miller products or for your nearest Miller representative please contact us via our website or at the following:

MILLER CAMERA SUPPORT EQUIPMENT

30 Hotham Parade
Artarmon 2064 NSW
Australia
Tel: +61 2 9439 6377
Fax: +61 2 9438 2819
Email: sales@miller.com.au

MILLER CAMERA SUPPORT (LLC) USA

218 Little Falls Road, Cedar Grove,
New Jersey 07009-1231 USA
Tel: (973) 857 8300
Fax: (973) 857 8188
Email: sales@millertripods.us

MILLER FLUID HEADS (EUROPE) LTD.

Unit 12A, Shepperton Business Park
Govett Avenue, Shepperton
Middlesex TW17 8BA
United Kingdom
Tel: +44 (0) 1932 222 888
Fax: +44 (0) 1932 222 211
Email: sales@millertripods-europe.com

www.millertripods.com